



ALTERNATOR E1S13M E/4

three-phase synchronous alternator with brushes and compound - 4 poles

Technical Data Sheet

E1S13M E/4

COMMON DATA

Rated Power at 50Hz	kVA	16	
Rated Power at 60Hz	kVA	19	
Rated Power Factor		0.8	
Nominal Temperature	°C	40	
Control System		self excited	
Execution		with brushes	
Regulation Type		compound	
Insulation Class		H	
Protection		IP21	
Maximum Overspeed	rpm	2250	
Overload		110% of rated power for one hour in a cycle of 6 hours	
Air Flow Requirement	m ³ /min	4.7 at 50Hz	5.6 at 60Hz
R.F.I. Suppression		Standard EN55011	

REGULATION DATA

compound		Compound	
Voltage Regulation		±4%	
Sustained Short Circuit		> 300% of rated current	

WINDING DATA

Stator Winding		Double layer	
Rotor Winding		with damping cage	
Number of Leads of Stator		6	
Stator Winding Resistance		0.46 at 20°C	
Rotor Winding Resistance		9.72 at 20°C	
THD at full load		<3,5%	
THD at no load		<3%	
Excitation at no load	A _{dc}	3.3	
Excitation at full load	A _{dc}	7.5	

STANDARD

References		EN60034-1 ISO8528-3 EN55011	
------------	--	-----------------------------	--

E1S13M E/4

ELECTRICAL DATA

Frequency		50Hz - 1500rpm	60Hz - 1800rpm
Voltage Series Star	V	400/230	480/277
Rated Power in Class H (125°C/40°C)	kVA	16	19
	kW	12.8	15.2
Rated Power in Class F (105°C/40°C)	kVA	14.5	17.5
	kW	11.6	14
Rated Power Standby (150°C/40°C)	kVA	17.5	21
	kW	14	16.8
Rated Power Standby (163°C/27°C)	kVA	18	21.5
	kW	14.4	17.2

EFFICIENCY IN CL. H

4/4	85.8%	86.3%
3/4	86.3%	86.7%
2/4	82.0%	83.2%
1/4	77.0%	77.5%

REACTANCES AND TIME CONSTANTS

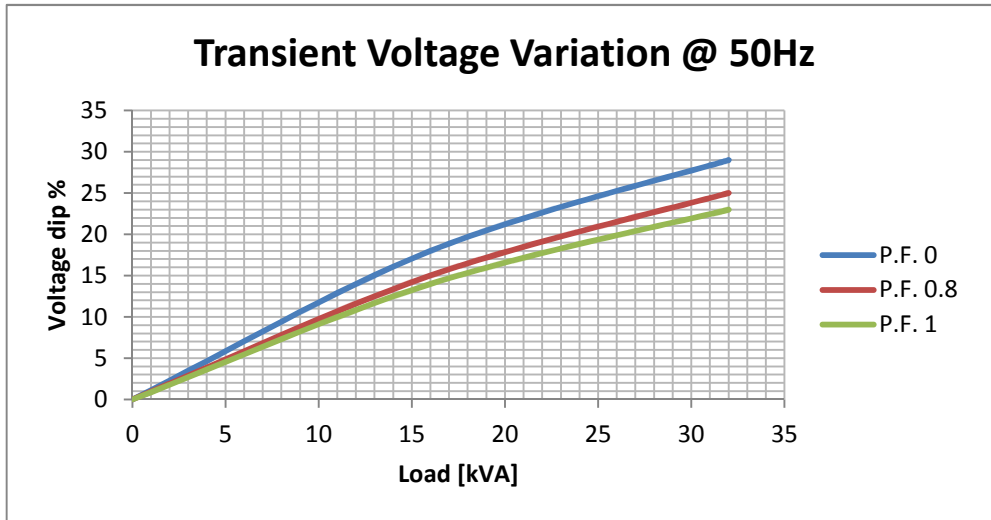
pcc	0.88
X _d - dir. axis synchronous	170%
X' _d - dir. axis transient	21.0%
X'' _d - dir. axis subtransient	8.2%
X _q - quad. axis reactance	135%
T' _{do} - O.C. field time constant	385ms
T' _d - Transient time constant	48ms
T'' _d - Sub-transient time constant	6.5ms

MECHANICAL DATA

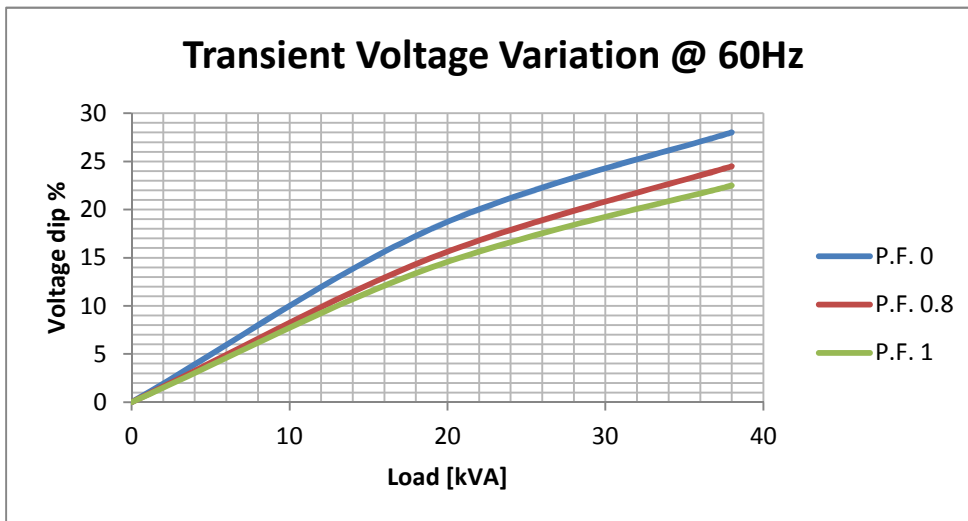
Bearing non drive end	6305-2Z-C3	
Bearing drive end (B3/B14 form)	6208-2Z-C3	
Weight of generator	in B2 kg	90.5
	in B3/B14 kg	86.4
	in B3/B9 kg	83.5

E1S13M E/4

TRANSIENT VOLTAGE VARIATION 50Hz

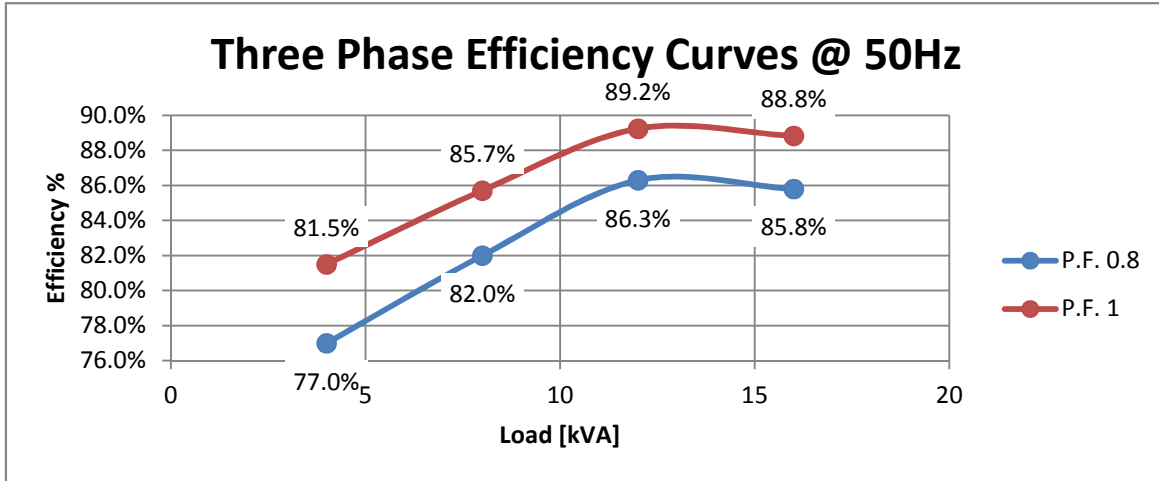


TRANSIENT VOLTAGE VARIATION 60Hz

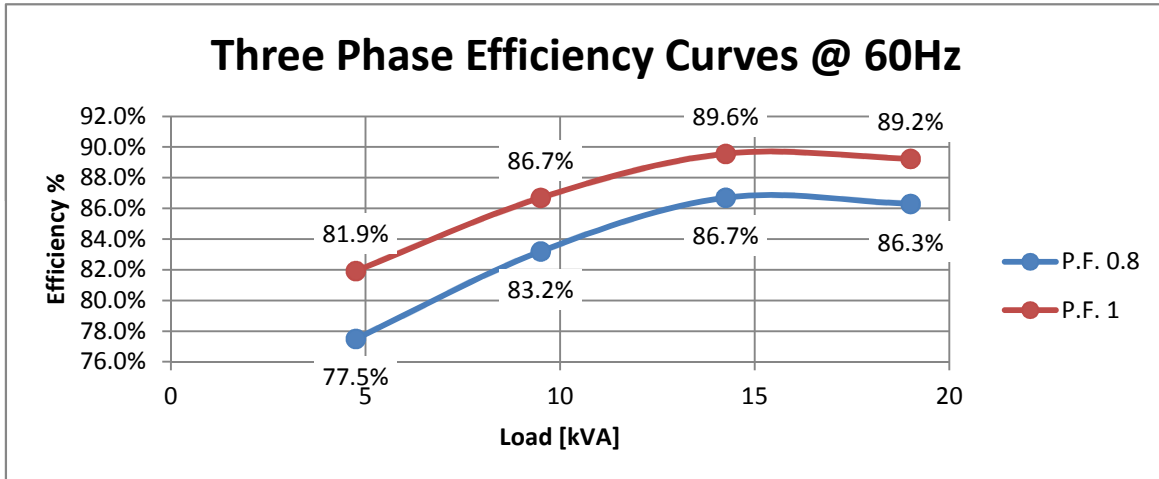


E1S13M E/4

EFFICIENCY 50Hz

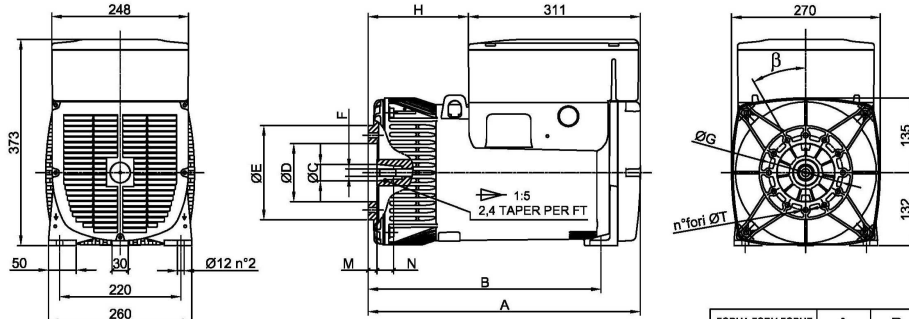


EFFICIENCY 60Hz



E1S13M E/4

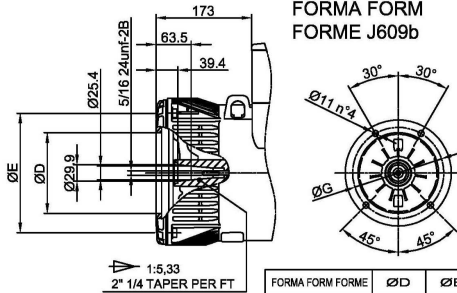
FORMA FORM FORME B3/B9



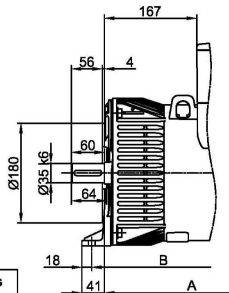
FORMA FORM FORME	ØC	ØD	ØE	F	ØG	H	M	N	n*fori	ØT	β
cono Ø30	Ø30	Ø105	Ø170	M14x1.5	Ø135	182	16	30	12	Ø9	30°
cono Ø38	Ø38	Ø125	Ø185	M18x1.5	Ø150	173	5	30	4	Ø11	β/2 45°

FORMA FORM FORME	A	B
B3B9 cono Ø30	493	422
B3B9 c.Ø38-J609b	484	413
B3/B14	478	430
MD35 - LOMB. STD	526	455

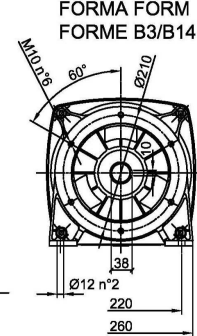
FORMA FORM FORME J609b



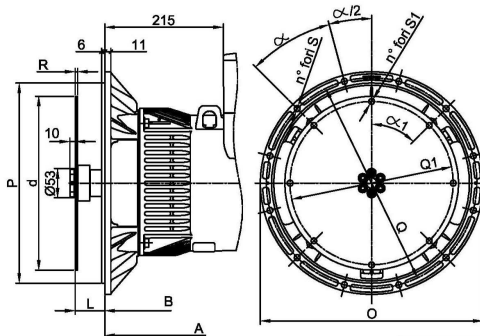
FORMA FORM FORME	ØD	ØE	ØG
J609b	Ø146	Ø192	Ø165
	Ø163.6	Ø216	Ø196.85
	Ø177.8		



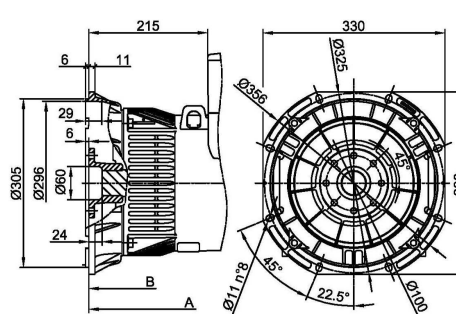
FORMA FORM FORME B3/B14



FORMA FORM FORME MD35



FORMA FORM FORME LOMBARDINI STD



SAE N.	FLANGIE - BRIDE - FLANGE					
	O	P	Q	n. fori	S	α
5	356	314.3	333.4	8	11	45°
4	403	362	381	12		30
3	451	409.6	428.6	12		30

SAE N.	GIUNTI A DISCO - DISC COUPLING - ACC. DISQUE						
	L	d	Q1	n. fori	S1	α1	R
6 1/2	30.2	215.9	200	6	9	60°	3
7 1/2	30.2	241.3	222.25	8	9	45°	
8	62	263.52	244.47	6	10.5	60	4.5
10	53.8	314.32	295.27	8	10.5	45°	
11 1/2	39.6	352.42	333.37	8	10.5	45°	